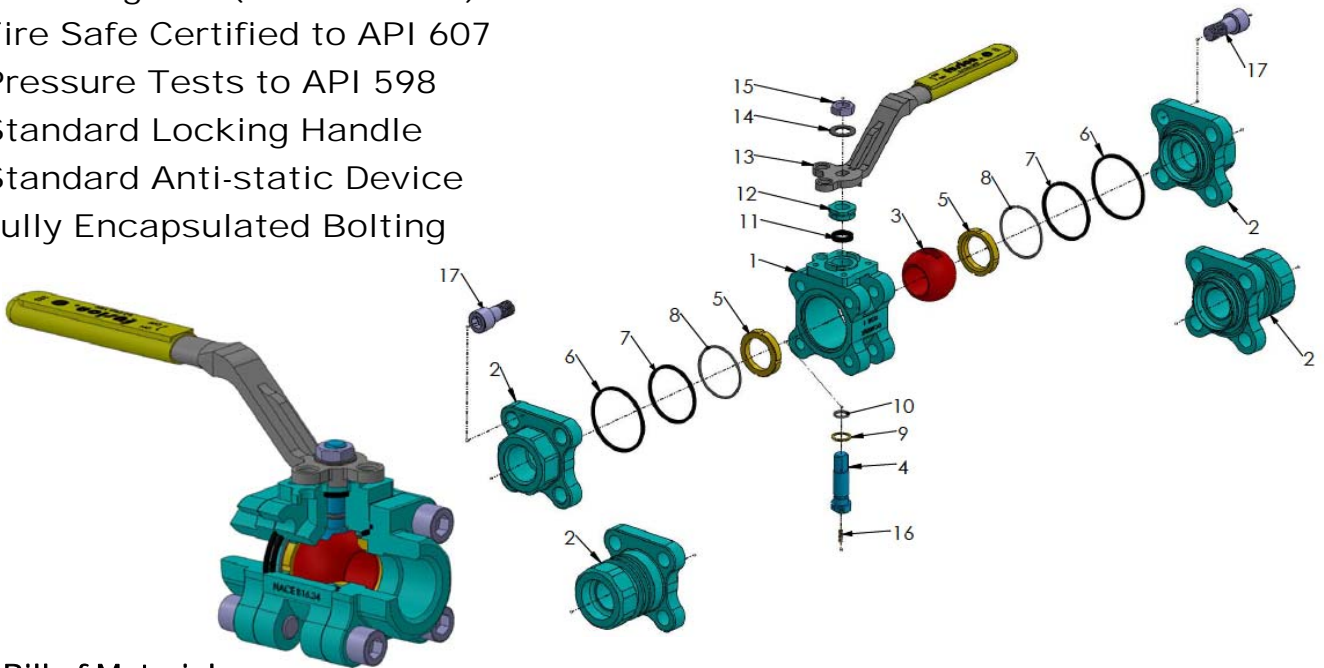


Fusion Series 333

- Threaded, Socket weld Three-piece ball valve
- High Pressure Ball Valve
- Full Port ¼" ~ 2" sizes, Regular Port 1" and 2" and 3" sizes only
- Threaded & Socket weld - Class 1500
- ASME B16.34 Standard
- Blowout Proof Stem
- Standard Welding "Fins" on Socket weld Valves
- Double Seal at Stem and Triple Seal at Body Connections
- Material to NACE MR0175
- Standard Marking to MSS SP-25
- Mounting Pad (1-1/2" and 2") to ISO 5211
- Fire Safe Certified to API 607
- Pressure Tests to API 598
- Standard Locking Handle
- Standard Anti-static Device
- Fully Encapsulated Bolting



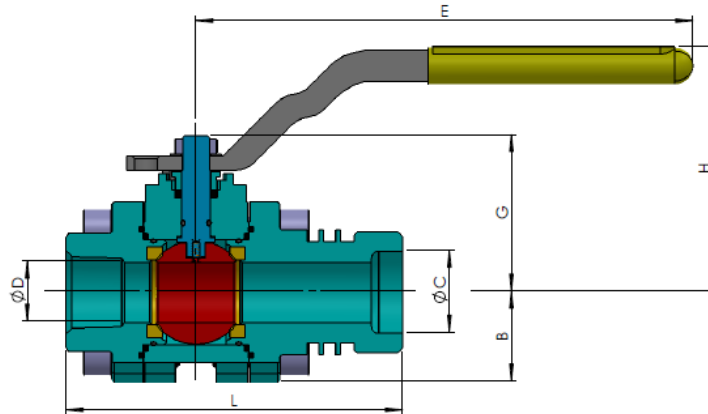
Bill of Materials

ITEM	PART	STAINLESS STEEL	SOUR LOW TEMP (NACE)	SOUR (NACE)	Q'TY
1	BODY	ASTM A351 CF8M	ASTM A352 LCC	ASTM A216 WCB	1
2	END CAP	ASTM A351 CF8M	ASTM A352 LCC	ASTM A216 WCB	2
3	BALL	ASTM A351 CF8M	ASTM A351 CF8M	ASTM A351 CF8M	1
4	STEM	ASTM A564 630	ASTM A564 630	ASTM A564 630	1
☆5	SEAT	VIRGIN PEEK	VIRGIN PEEK	VIRGIN PEEK	2
☆6	BODY GASKET	GRAPHITE	GRAPHITE	GRAPHITE	2
☆7	BODY SMALL GASKET	PTFE	PTFE	PTFE	2
☆8	BODY O-RING	TEFLON	VITON GLT	VITON	2
☆9	THRUST WASHER	RTFM	RTFM	RTFM	1
☆10	STEM O-RING	VITON	VITON GLT	VITON	1
☆11	PACKING	GRAPHITE	GRAPHITE	GRAPHITE	1
12	PACKING FOLLOW	340SS	340SS	340SS	1
13	HANDLE	ASTM A351 CF8	CS	CS	1
14	STEM WASHER	304SS	CS	CS	1
15	HANDLE NUT	304SS	CS	CS	1
16	SRPING	304SS	304SS	304SS	1
17	CAP SCREWS	ASTM A320 L7M PLATED	ASTM A320 L7M	ASTM A320 L7M	8~16

Note 1 : ☆ Minor repair kit :

Note 2 : (Item 17) stud on 1-1/2" to 3" RP

Note 3 : (Item 8 and 10) Option to HNBR



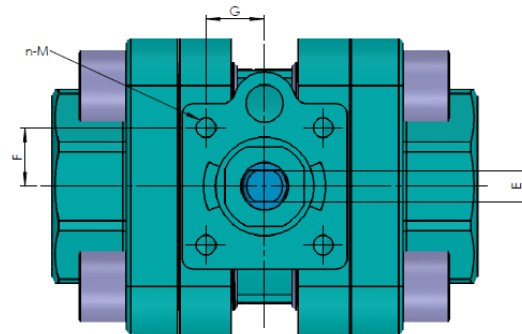
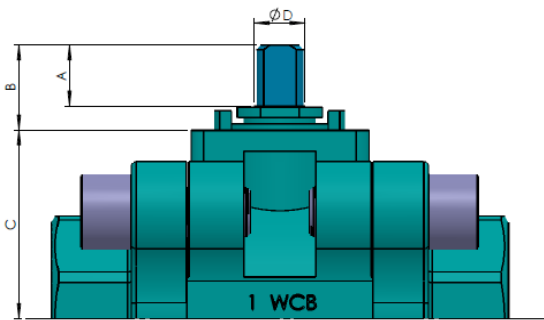
Weights and Dimensions

SIZE In/DN	CLASS /PN	BORE	D In/mm	C In/mm	L			B In/mm	G In/mm	H In/mm	E In/mm	Cv Gal/ min	WEIGHT	
					NPT In/mm	SW In/mm	NPT X SW In/mm						SW Kg/Lbs	
1/4 / 8	1500/250	FP	0.50/12.7	0.87/22.0	3.86/98	-/-	-/-	1.02/26	1.93/49	3.46/88	6.50/165	26	1.4/3.1	
3/8 / 10	1500/250	FP	0.50/12.7	0.87/22.0	3.86/98	-/-	-/-	1.02/26	1.93/49	3.46/88	6.50/165	26	1.4/3.1	
1/2 / 15	1500/250	FP	0.50/12.7	0.87/22.0	3.86/98	5.12/130	4.49/114	1.02/26	1.93/49	3.46/88	6.50/165	26	2.2/4.9	
3/4 / 20	1500/250	FP	0.75/19.1	1.08/27.4	4.25/108	6.77/172	5.51/140	1.14/29	2.20/56	3.66/93	8.07/205	61	2.4/5.3	
1 / 25	1500/250	FP	0.98/25.0	1.34/34.1	4.29/109	6.77/172	5.51/140	1.30/33	2.56/65	3.98/101	8.07/205	110	3.7/8.2	
	1500/250	RP	0.75/19.1	1.34/34.1	4.25/108	6.77/172	5.51/140	1.26/32	2.20/56	3.66/93	8.07/205	32	3.7/8.2	
1-1/2 / 40	1500/250	FP	1.50/38.0	1.93/49.0	6.26/159	8.54/217	7.40/188	2.00/51	4.06/103	5.28/134	10.04/255	260	8.0/17.6	
2 / 50	1500/250	FP	2.00/50.8	2.42/61.4	6.26/159	12.76/324	9.53/242	2.09/53	4.80/122	5.91/150	12.40/315	480	12.0/26.5	
	1500/250	RP	1.50/38.0	2.42/61.4	6.26/159	8.54/217	7.40/188	2.00/51	4.06/103	5.28/134	10.04/255	130	8.0/17.6	
3 / 80	1500/250	RP	2.00/50.8	2.42/61.4	11.38/289	-/-	-/-	2.09/53	4.80/122	5.91/150	12.40/315	350	12.0/26.5	

Note 1 : "L" DIMENSION ± 0.06 in. /1.5 mm

Note 2 : "B" DIMENSION FOR FORGING BODY

Note 3 : SIZE 1/4 · 3/8 · 3 WEIGHT FOR NPT



Actuator Mounting Dimensions

SIZE In/DN	BORE	A In/mm	B In/mm	C In/mm	D In/mm	E (FLAT) In/mm	F In/mm	G In/mm	n-M mm
1/4 / 8	FP	0.47/12	0.67/17	1.26/32	0.47/12	0.24/6	0.51/13	0.51/13	4-M6X6 DEEP
3/8 / 10	FP	0.47/12	0.67/17	1.26/32	0.47/12	0.24/6	0.51/13	0.51/13	4-M6X6 DEEP
1/2 / 15	FP	0.47/12	0.67/17	1.26/32	0.47/12	0.24/6	0.51/13	0.51/13	4-M6X6 DEEP
3/4 / 20	FP	0.55/14	0.75/19	1.46/37	0.47/12	0.31/8	0.51/13	0.51/13	4-M6X6 DEEP
1 / 25	FP	0.59/15	0.79/20	1.77/45	0.47/12	0.31/8	0.59/15	0.59/15	4-M6X6 DEEP
	RP	0.59/15	0.94/24	1.46/37	0.47/12	0.31/8	0.51/13	0.51/13	4-M6X6 DEEP
1-1/2 / 40	FP	1.14/29	1.57/40	2.48/63	0.75/20	0.47/12	0.98/25	0.98/25	4-M8X6 DEEP
2 / 50	FP	1.26/32	1.89/48	3.15/80	1.00/25	0.59/15	0.98/25	0.98/25	4-M8X6 DEEP
	RP	1.14/29	1.65/42	2.48/63	0.75/20	0.47/12	0.98/25	0.98/25	4-M8X6 DEEP
3 / 80	RP	1.26/32	1.65/42	3.15/80	1.00/25	0.59/15	0.98/25	0.98/25	4-M8X6 DEEP