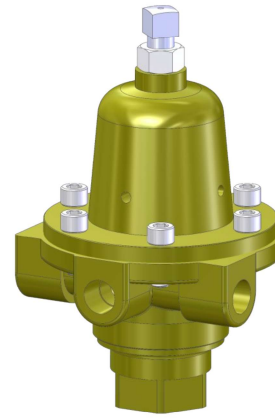


# RG40 Regulator

The RG40 is a compact, high pressure, spring operated regulator designed to reduce high pressures down to working pressures. It features a rugged brass body and housing with a durable metal diaphragm and nylon disk for handling high pressure drops.

Typical applications include reduction of high pressure to operate chemical injection pumps, valve actuators or controllers. Its compact form and cost effective design make it an ideal choice for many other applications as well.

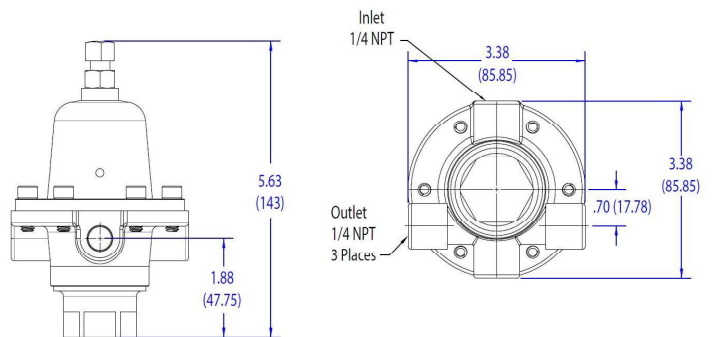


## Specifications

- Connection:** 1/4" NPT (1 inlet, 3 outlets)
- Inlet Pressure Rating:** 5000 psi
- Temperature Range:** -20° F to 180° F (-28° C to 82° C)
- Output Ranges:**
  - 0 – 125 psi
  - 0 – 225 psi
- Materials:**
  - Body and Housing:** Brass
  - Diaphragm and Orifice:** Stainless Steel
  - Disk:** Nylon
- Adjustment Screw:** Standard, Tee Handle

## Dimensions

Measurements in inches (mm).



## Capacities in SCFH of .6 SG Natural Gas

Outlet Pressure Range (psi)	Outlet Pressure Setting (psi)	Inlet Pressure (psi)													
		100		250		500		750		1000		1500		2000	
		10% Droop	20% Droop	10% Droop	20% Droop	10% Droop	20% Droop	10% Droop	20% Droop	10% Droop	20% Droop	10% Droop	20% Droop	10% Droop	20% Droop
0 to 125	75	258	452	645	1032	1032	1677	1226	1935	1290	2064	1419	2193	1548	2322
0 to 225	150	-	-	839	1161	1290	2193	1742	2838	1935	2903	2129	3548	2322	3870
	225	-	-	645	1032	1806	2709	2451	3741	3096	4515	3483	5160	3870	5805

## How to Order

Model Number	Spring Range	Adjusting Screw
RG40-1	0-125 psi	Standard
RG40-2	0-225 psi	Standard
RG40-1T	0-125 psi	Tee Handle
RG40-2T	0-225 psi	Tee Handle



Phone: 409-225-5863  
 Fax: 409-242-1005  
 1009 Laurel Street  
 Beaumont, Texas 77701